



Hi-Effi



## LED STRIP LIGHTING

# SA COB 896 LED RGBW Strip

### Features

- Super high density, only 4.46mm distance between same color LEDs.
- A dedicated white LED for provides a much purer white tone and allows you the option of warm or pure tone.
- Double layer FPC, balancing the voltage dropping, heat dissipation and flexibility.
- Synchronized colour change, driven by RGBW controller
- Electronic dimming control supported
- IP20 Rated (Non-waterproof) or IP67 Rated (Silicone tube encased)
- 5 years warranty

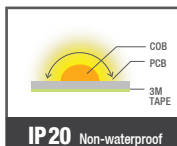
### Specification

Item Code	IP	Emitting Colour	Luminous Flux(lm)	Efficiency(lm/W)
SA 9CUC9	20	Red	100	20
		Green	190	95
SA 9CTC9	67	Blue	30	10
		Warm White (4000K)	280	70

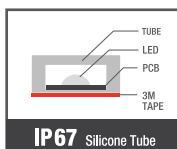
### Technical Characteristics

Power Consumption	16W/M
Voltage	DC24V
Current Dissipation(A)	0.667A
Efficiency	195lm/W <b>Hi-Effi</b>
IP Rating	IP20 / IP67
Cutable Length	62.50 mm
Number of LED	896EA/M (4,480 LEDs)

#### IP Rating



#### IP Rating



### Temperature Ranges

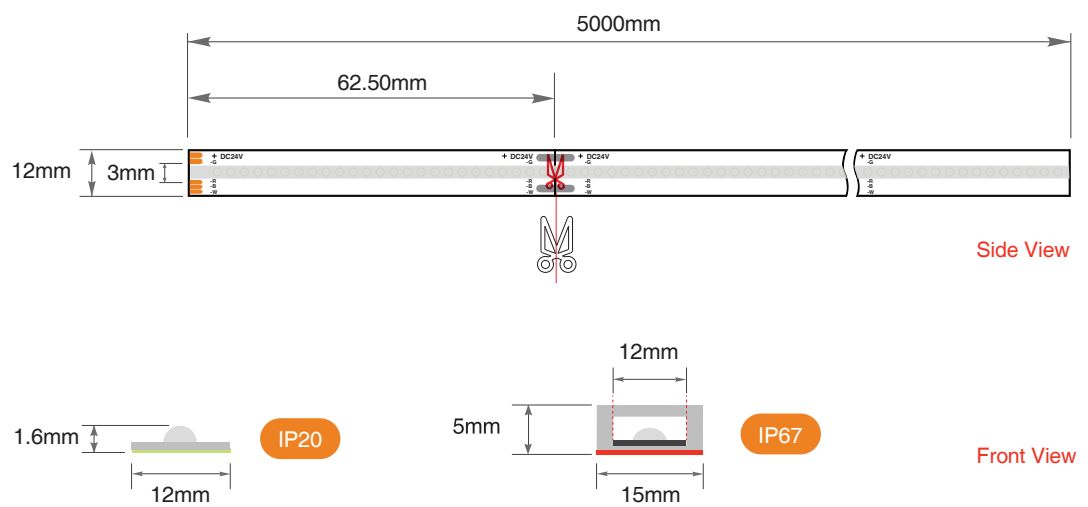
Operating temperature	-20~40°
Storage temperature	-20~45°

**Warranty**

Warranty	5 years
----------	---------

**Physical Characteristics**

	IP 20	IP 67
Dimensions : mm (W*H*M)	12 *1.6*5000	15 *5*5000
Weight	110g	580g



**Max in series 5 Metre**

